

4

3

2

1

THIS DRAWING IS UNPUBLISHED.

RELEASED FOR PUBLICATION

2011

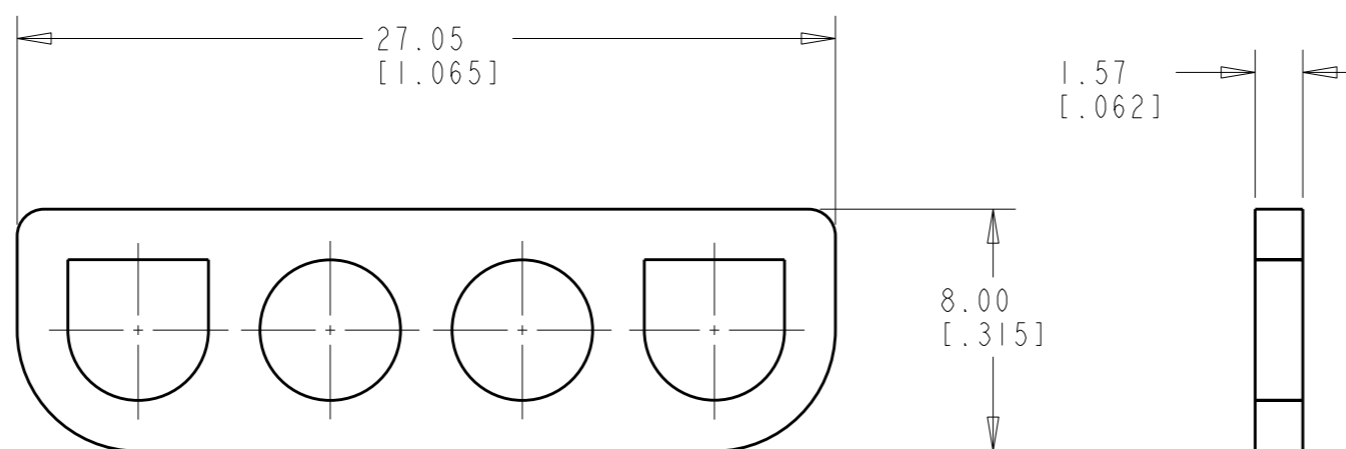
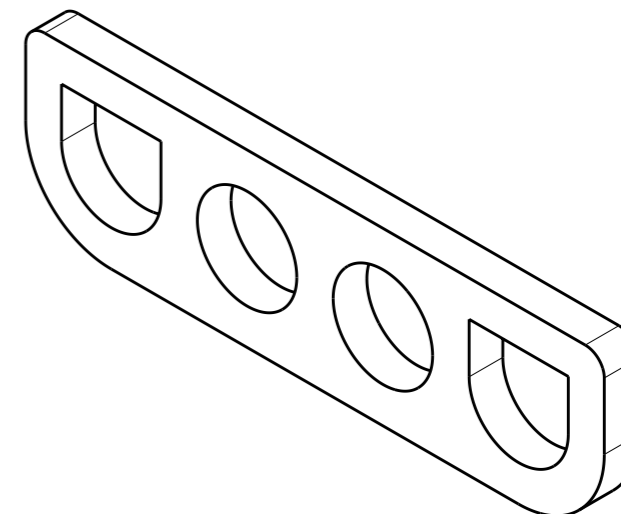
© COPYRIGHT 2011

ALL RIGHTS RESERVED.

LOC CM DIST 45


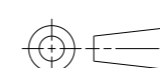

REVISIONS

P	LTR	DESCRIPTION	DATE	DWN	APVD
	CI	REVISED PER ECR-12-007748	02MAY2012	HMR	TM



- 1 MATERIAL: CLOSED CELL SILICON FOAM, BLACK
- 2. SUPPLIED ON MYLAR TAPE.

794785-1  
PART NUMBER

THIS DRAWING IS A CONTROLLED DOCUMENT.		DWN W J RUDY 02MAY2000	 TE Connectivity	
DIMENSIONS: mm [INCHES]		CHK R WALKER 02MAY2000		
		APVD R WALKER 02MAY2000		
TOLERANCES UNLESS OTHERWISE SPECIFIED:		PRODUCT SPEC	NAME INTERFACE SEAL, 4 CIRCUIT, UNIVERSAL MATE-N-LOCK™	
0 PLC ±- 1 PLC ±- 2 PLC ±-0.38 [0.015] 3 PLC ±- 4 PLC ±- ANGLES ±-		APPLICATION SPEC	SIZE A3	
MATERIAL		WEIGHT	CAGE CODE 00779	DRAWING NO C-794785
		CUSTOMER DRAWING	RESTRICTED TO	
		SCALE 4:1	SHEET 1	OF 1
			REV CI	

